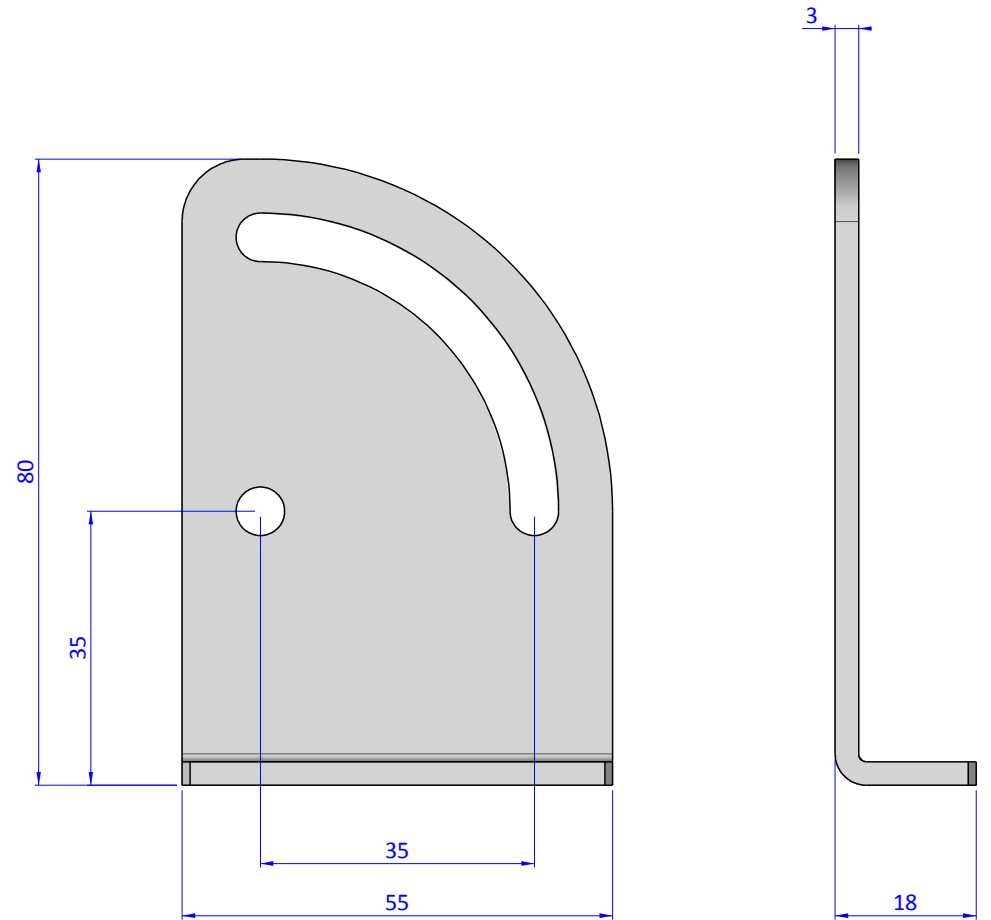
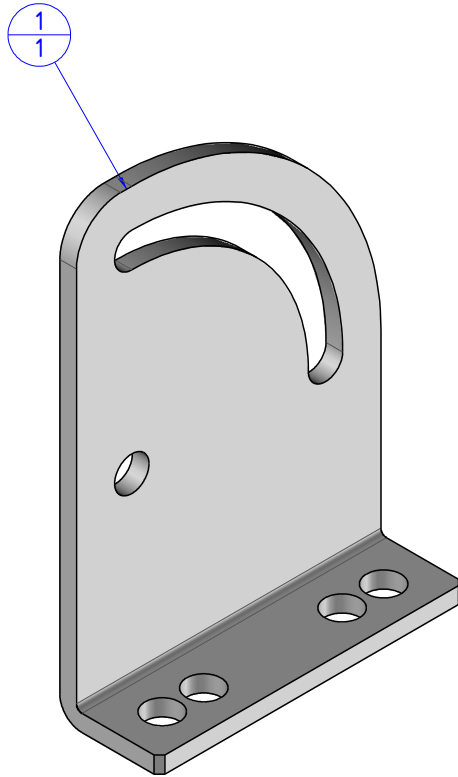


THE PROPERTY OF THE DRAWING IS ESTABLISHED BY LAW. IT IS FORBIDDEN TO PRODUCE OR SHOW IT TO THIRD PARTY, WITHOUT A WRITTEN AGREEMENT.

| Item | Name | Q.ty |
|------|------------|------|
| 1 | 04.10.36.2 | 1 |



Format A3

UNI 936-76

| | | | | |
|-------------------|---------------|----------------|---------|--------|
| | | DESIGNED FROM | | REVIEW |
| | | FPS Automation | | A |
| GENERAL TOLERANCE | | DATE | WEIGHT | |
| UNI - ISO 2768 | | 07/09/2018 | 0,099kg | |
| CLASSE f | DESCRIPTION | CODE | | |
| | CA.04.10.36.2 | CA.04.10.36.2 | | |